

# OMNIBENCH™ HEAVY-DUTY WORKBENCH 1D

OMNIBENCH™ heavy duty workbenches share common design qualities that have earned MACHLAB® a trusted reputation in the industry. Typical features include a wide variety of drawer and door combinations to meet every job and storage requirement; fully welded base frames for strong loading capacity; extensive selection of task-oriented materials for work surfaces.

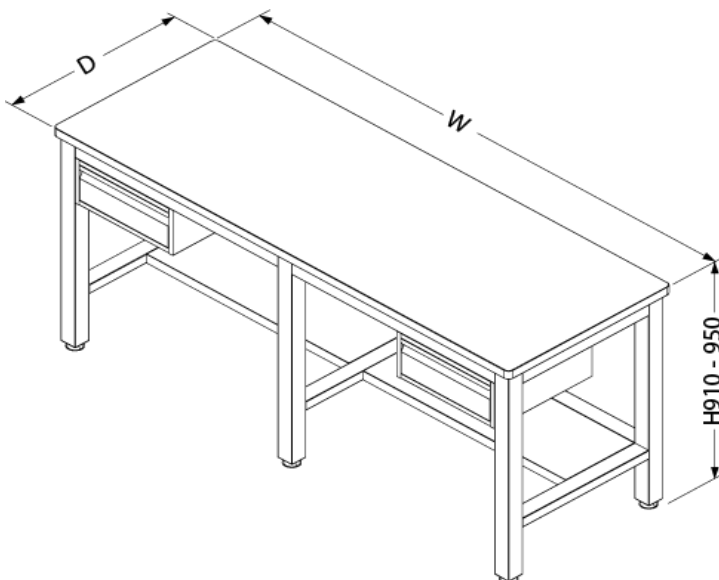


## FEATURES

- **1000 kg** UDL Load capacity
- **Fully welded joints**, industrial grade construction
- **Corrosion resistance\*** certified
- **Heavy-duty** adjustable stainless steel stabilisers
- **100 microns** powder coating finish

## SPECIFICATIONS

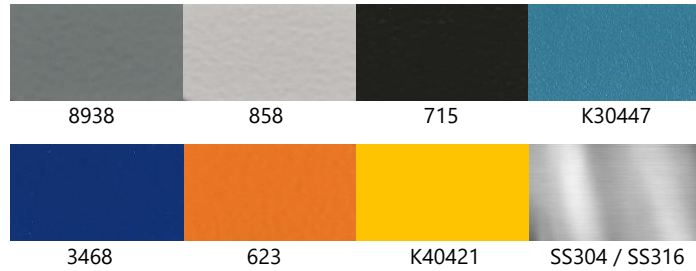
- **Certified quality** (ISO2178, ISO2813, ISO2409, ASTM B117, ASTM D3363)
- **SHS 65x65x2.0mm steel base frame**
- **RHS 38x65x2.0mm steel crossbars**
- **Oven baked epoxy powder** coated steel components



| MODELS             | W    | D    | H**     |
|--------------------|------|------|---------|
| <b>OB-2175-1D</b>  | 2100 | 750  | 910-950 |
| <b>OB-2475-1D</b>  | 2400 | 750  | 910-950 |
| <b>OB-2190-1D</b>  | 2100 | 900  | 910-950 |
| <b>OB-2490-1D</b>  | 2400 | 900  | 910-950 |
| <b>OB-21105-1D</b> | 2100 | 1050 | 910-950 |
| <b>OB-24105-1D</b> | 2400 | 1050 | 910-950 |

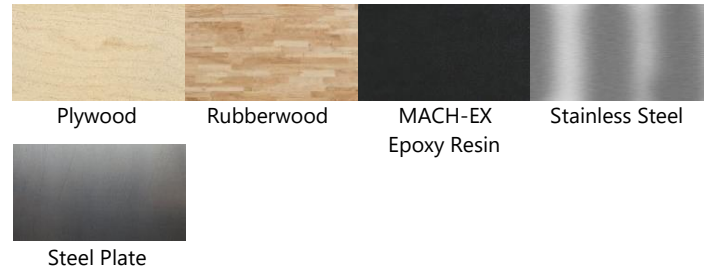
**FINISH OPTIONS**

Powder coated steel components or stainless steel finish.  
Custom colour matching available upon request.



**WORK SURFACE MATERIAL OPTIONS**

Work surface material available upon request.



\*Except wood-based worktops.

\*\*Total height of workbench varies from 910mm to 950mm, depending on the selected worktop thickness.